



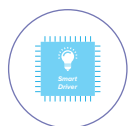
SkyLite Prime - Next-generation Smart City lighting controller

With SkyLite Prime, cities can effortlessly upgrade their streetlights with intelligent controls turning them into smart city connectivity hubs. When combined with a smart driver, SkyLite Prime delivers advanced system health analytics, power metering and asset management support. A standardized Zhaga interface (Book 18) ensures a quick installation and universal luminaire compatibility.

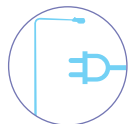
Designed in the Netherlands  Made in Europe 



## Features



Smart Driver ready



Lighting control via DALI / DALI 2.0 / SR / D4i, DALI Multi-Master mode



Controls up to 4 drivers



Lux sensor to measure ambient light levels



Adaptive, autonomous, AstroClock and calendar-based dimming



IP65 with similar rated Luminaire + UV Stabilized



Compatible with all existing TVILIGHT products



2.4 GHz communication

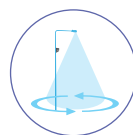
## Benefits



Universal luminaire compatibility via standard Zhaga socket (Book 18)



Advanced luminaire health information and monitoring



External sensor input; trigger surrounding lights creating a safe circle of light around the road user



Open API for third party software compatibility



High accuracy power metering; ANSI 136.52 compliant for supported drivers



# TECHNICAL SPECIFICATIONS

PR155901 SkyLite Prime Zhaga 24VDC 2.4GHz

**TVILIGHT**  
EMPOWERING INTELLIGENCE

## ELECTRICAL INPUT DATA

Rated supply voltage range	18-30VDC
Rated supply voltage	24VDC
Rated supply current	125mA
Power consumption operating	~1.5W
Power backup (RTC)	24 hours
Logical system input (LSI)	0 - 30VDC
LSI logical low	0 - 6VDC or open
LSI logical high	7 - 30VDC
LSI max current draw	10mA
LSI output range	0 - max supply voltage
Dimming control	DALI / DALI 2.0 / SR / D4i, DALI Multi-Master mode
DALI supply bus voltage	20VDC
DALI supply current	60mA
DALI supply current guarantee	53mA

## COMMUNICATION DATA

Network	2.4GHz IEEE 802.15.4 self-forming, self-healing wireless network
Radio (max. transmit power)	+9.5dBm (EU)
Radio (receiver sensitivity)	-96dBm
Security	128 AES encryption
Wireless range	200 m*
Gateway to device ratio	1:200*

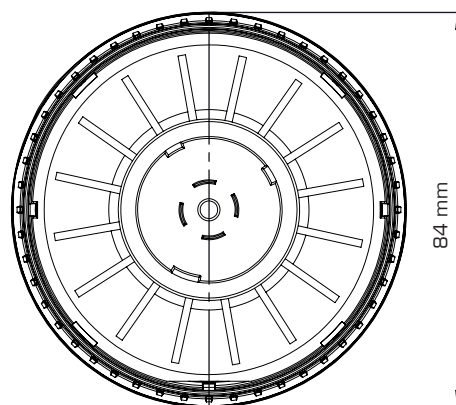
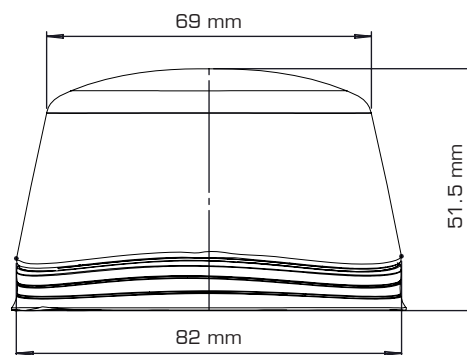
\*depending on field conditions

## CERTIFICATES & STANDARDS

Approval marks	CE
IEC protection class	Class 3
Ingress protection classification	IP65 with similar rated Luminaire

## MECHANICAL DATA

Enclosure	Transparent Polycarbonate, UL94 V-0
Color	Pantone - Cool Grey 5 C
Antenna	Integrated
Weight	88g
Dimensions	84 x 51.5 mm



## PROTECTION

Supply protection	Reverse polarity protection	
Output protection	Short circuit protection with auto-recovery Reverse polarity protection and over-voltage protection on DIMMING lines (pin 2/3) LSI I/O mode protection; configuration of incorrect function mode will not damage device LSI output over-current protection with auto-recovery	

## OPERATIONAL TEMPERATURES & HUMIDITY

Ambient temperature (T <sub>a</sub> )	-30 to +60 °C	Higher ambient temperature allowed as long as T <sub>case-max</sub> is not exceeded
Relative humidity	10 to 90 %	Non-condensing
T <sub>case-max</sub>	+85 °C	
T <sub>case-life</sub>	+70 °C	

## STORAGE TEMPERATURES & HUMIDITY

Storage temperature	-40 to +60 °C	
Relative humidity	5 – 95 %	Non-condensing

## LIFETIME

Device lifetime	50K Hours	At T <sub>case</sub> = +70 °C at T <sub>c</sub> point / 10 % failure rate
-----------------	-----------	---

## ADDITIONAL INFORMATION

Default ambient light sensor setting	ON	Turn light ON: 30 Lux / Turn light OFF: 45 Lux
Default light output	100 %	
Default LSI function	OFF	Refer to latest product documentation for supported functions
Default LSI mode	INPUT	

## LED STAGE INDICATION

Red LED Blinking	Standalone Twilight switch mode enabled	
Green LED	Connected mode enabled	

## WARRANTY INFORMATION

Warranty period	2 years	Subject to proper use of installation & application manuals
-----------------	---------	---

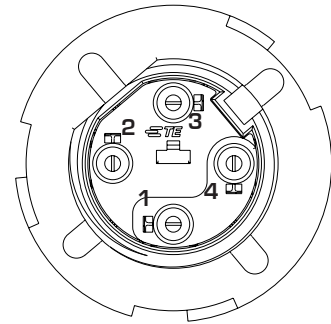
# TECHNICAL SPECIFICATIONS

PR155901 SkyLite Prime Zhaga 24VDC 2.4GHz

**TVILIGHT**  
EMPOWERING INTELLIGENCE

## WIRING INFORMATION

Pin Number	Function
1	+24V power supply
2	Negative pole for analogue or DALI or DALI based protocol and shared ground return for 24V supply
3	Positive pole for analogue or DALI or DALI based protocol
4	General digital i/o (greater than 7VDC)



Bottom view Receptacle Assembly  
(Gasket, Nut and Washer not shown for clarity)

## LOGISTICS INFORMATION

Order Code	Product Description	Packaging Unit	Dimensions	Weight
PR155101	SkyLite Prime Zhaga 24VDC 9.5dBm 2.4GHz Multipack 12	Carton shipping box containing 12 x PR155101	(L - W - H) 394 - 294 - 60 mm	1400g

Use PR155101 when placing an order. This is a multipack with 12 devices and which is MOQ

## APPROVED ACCESSORIES

Accessory Type	Manufacturer	Manufacturers Part Description	Part Code
Mounting assembly	TE	RECEPTACLE ASSEM., LUMAWISE ENDURANCE S	2213858-1

## Application



Roadways



Area lighting



Residential



Urban



Industrial



Parking



Ports



Rail stations