



Wall-Mount NEMA 7-Pin Receptacle For Pole-Mount Controller Installations

The TVILIGHT NEMA Wall Socket 7 Pin incl. Cable is a wall-mount twist-lock receptacle designed for outdoor lighting installations where luminaires do not include a standard NEMA socket. It enables flexible pole-mount deployment of a NEMA controller while keeping installation practical, service-friendly, and suitable for demanding field environments.

Available in two versions, this wall socket is supplied as a separate accessory to install a pole-mount IoT or RF controller. The only difference between the two versions is the cable length.

FEATURES

NEMA 7-Pin Interface:

- Supports ANSI C136.41 compatible twist-lock controllers
- Suitable for smart street lighting and outdoor luminaire applications
- Provides a standardised interface for external controller mounting

Flexible Pole-Mount Installation:

- Wall-mount receptacle with integrated cable
- Supports bracket-based pole mounting

Outdoor-Ready Construction:

- Designed for outdoor lighting environments
- Includes outdoor wiring cable
- Built for reliable long-term field use

BENEFITS

Easy Pole-Mount Integration:

Allows a NEMA controller to be mounted externally on the pole, creating greater installation flexibility where direct luminaire mounting is less suitable.

Standards-Based Compatibility:

Built around an ANSI C136.41 compatible interface for smooth integration with NEMA-based outdoor lighting control systems.

Outdoor Reliability:

Designed for wide voltage operation, outdoor cable integration, and stable performance across demanding ambient conditions.

Dimming and Control Support:

- Supports 0–10 V dimming and DALI through dedicated dimming contacts
- 7-pin configuration supports power and lighting control connectivity
- Gold-plated low-voltage pads support reliable controller contact performance

Two Cable-Length Variants:

- PR165205 – incl. 5 m cable
- PR165207 – incl. 1.2 m cable

Simplified Retrofit and New Installations:

Two cable-length options support a wide range of routing and mounting needs in both retrofit and new projects.

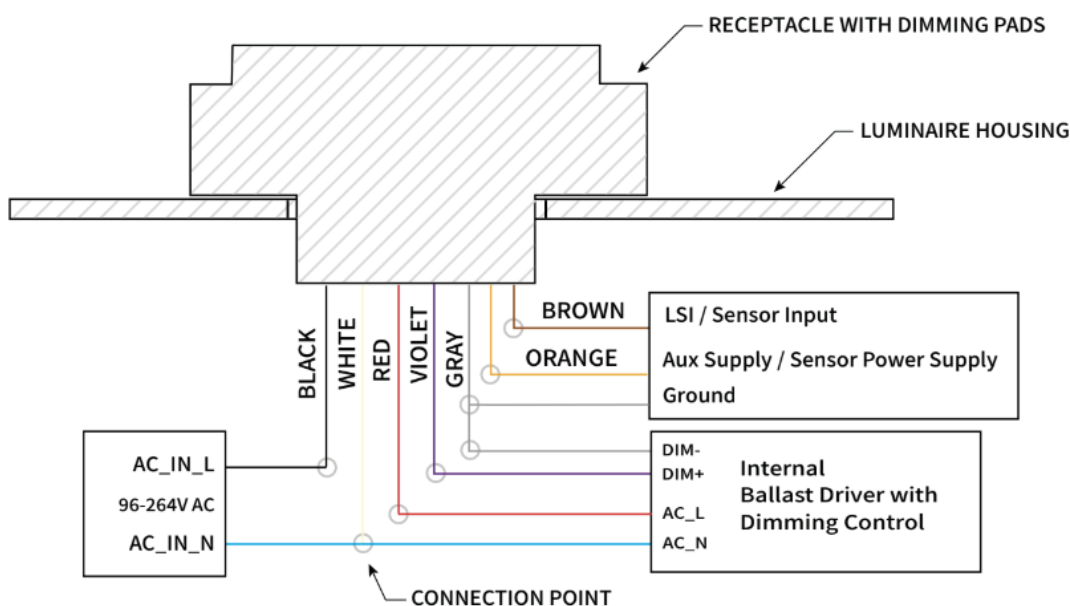
Service-Friendly Design:

The twist-lock controller interface supports efficient installation, replacement, and maintenance in the field

SPECIFICATIONS

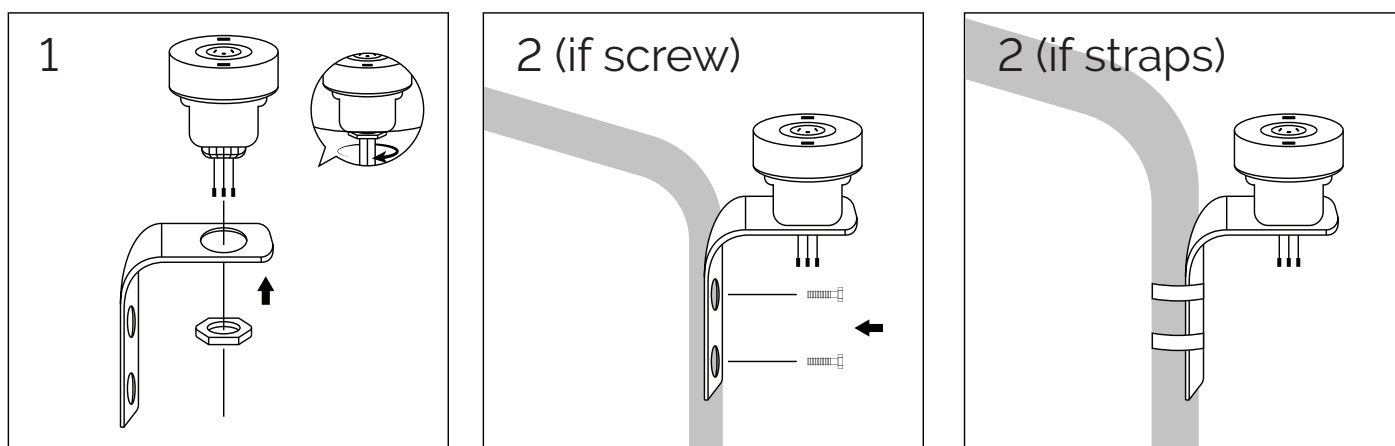
ELECTRICAL DATA	
Interface	NEMA 7-Pin
Standard / Certification Reference	ANSI C136.41-2013
Applicable Voltage Range	0-480 VAC
Rated Frequency	50/60 Hz
Load Rating	15 A
Signal Control	0-30 VDC, 250 mA max.
Lead Type	16 AWG / 14 AWG
ENVIRONMENT DATA	
Operating Temperature	-40 °C to +70 °C
Relative Humidity	96%
MECHANICAL DATA	
Mounting Type	Wall mount / external mount with bracket
Bracket Option	Aluminium or iron bracket option
Body Material	PBT with UV stabilizer
Rear Cover Material	PC/ABS
Orientation Aid	Yes. Top-face NORTH indication for correct installation orientation.

TYPICAL WIRING DIAGRAM



INSTALLATION GUIDELINES

- Disconnect power before installation.
- Mount the wall socket into the bracket opening.
- Secure the wall socket from the underside using the retaining ring / fixing nut.
- Tighten the fixing screws so the socket and bracket assembly are firmly mounted.
- Route and connect the cable according to the luminaire and controller wiring design.
- Align the NEMA controller pins with the 7-pin receptacle and place the controller onto the socket.
- Rotate the controller until it locks securely in position.
- Verify correct seating, wiring, and mechanical stability before energizing the system.
- Confirm correct operation after installation.



LOGISTICS INFORMATION

Order Code	Product	Packaging	Dimensions	Weight
PR165205	NEMA wall socket 7 pin incl. 5 m cable	Standard	NA	NA
PR165207	NEMA wall socket 7 pin incl. 1.2 m cable	Standard	NA	NA

Let's Transform Your City Together

Contact us at info@tvilight.com